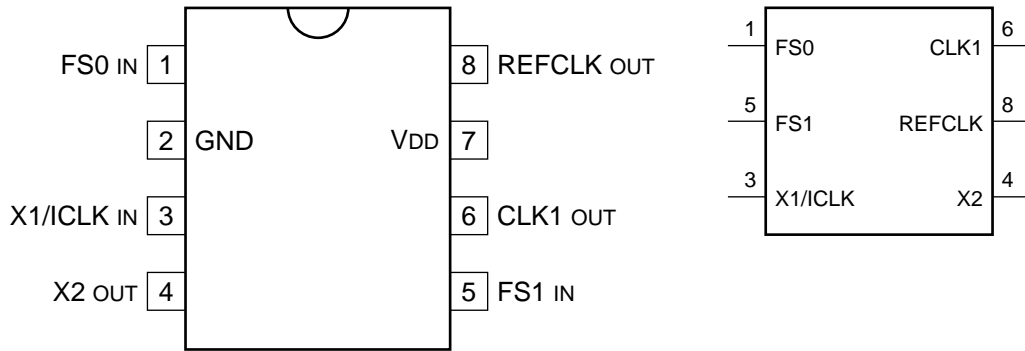


CPU FREQUENCY GENERATOR

—TOP VIEW—



INPUTS

- FS0 ; FREQUENCY SELECT 0
- FS1 ; FREQUENCY SELECT 1
- X1/ICLK ; CRYSTAL INPUT / INPUT CLOCK

OUTPUTS

- CLK1 ; CLOCK 1 OUTPUT
- REFCLK ; REFERENCE CLOCK
- X2 ; CRYSTAL

